



PIKO vehicle
information
02/2025

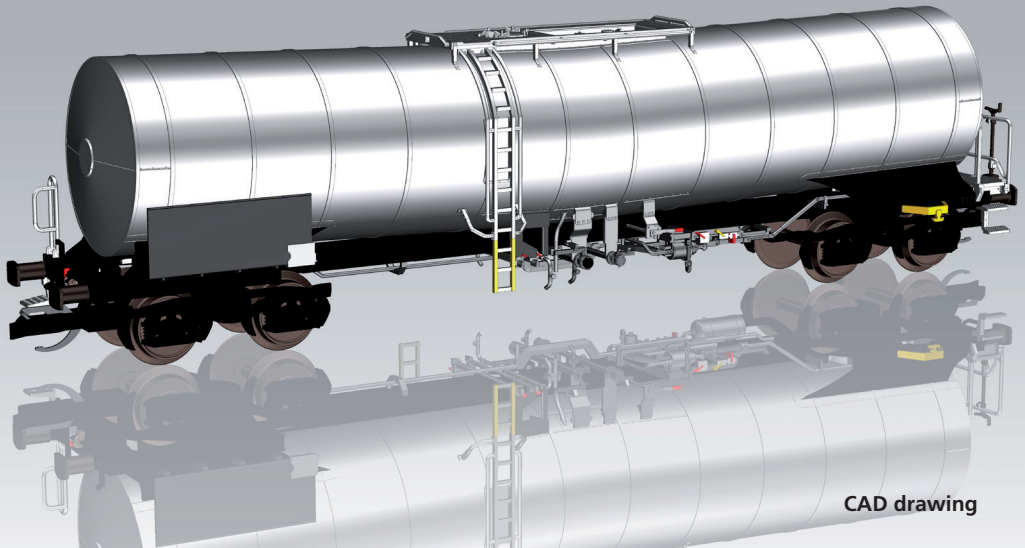
PIKO

Chemical Tank Car Zacens



**Modern freight train traffic in 1:120 –
with PIKO's chemical tank wagons!**

Chemical Tank Car VTG and GATX VI



Equipped with a stainless steel tank, this wagon is an indispensable and modern vehicle for transporting a wide variety of chemicals. It is designed for the transportation of a wide spectrum of substances thanks to insulation on the one hand and heating on the other. With a volume of 72 m³ and a tare weight of 24.5 t, a maximum of 65.5 t can be loaded. The inclination of the two tank halves of 1.5 % each towards the middle of the vehicle ensures good emptying of residual quantities. The wagons are equipped with the noise-reducing and therefore environmentally friendly K-sole.

Our prototype: Zacens 7834 777-0 from VTG and Zacens 7933 151-4 from GATX

TECHNICAL DATA

- Length over buffers: 137 mm
- Minimum recommended radius: 310 mm
- Era VI

PIKO Chemical Tank Car VTG and GATX VI

The PIKO chemical tank cars of the Zacens type are impressive on a scale of 1:120 with their successful mold construction and numerous free-standing add-on parts. The wagons are ideal for forming long freight trains, but are also a real eye-catcher as individual models.

- VTG model with high-gloss tank in chrome look, GATX model with matt tank
- Highly detailed frame
- Freestanding and finely perforated railings, steps and ladders
- Filigree bogies

NEW MOLD

2025



47780 Chemical Tank Car VTG VI

NEW MOLD

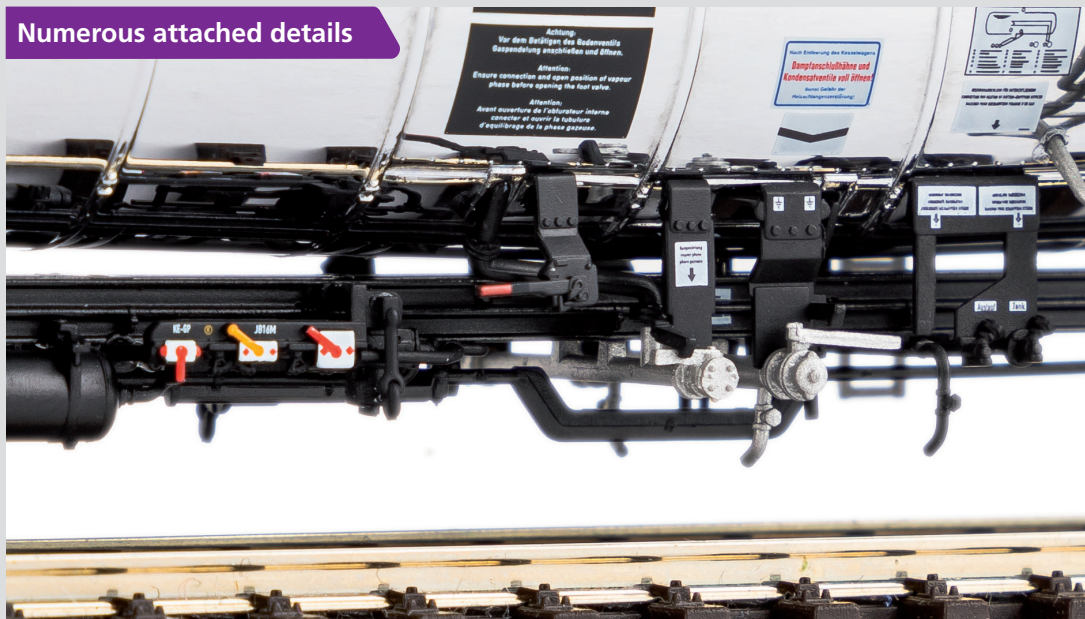
2025



47781 Chemical Tank Car GATX VI

PIKO Chemical Tank Car VTG and GATX VI

Numerous attached details



Free-standing ladder



Brake platform

