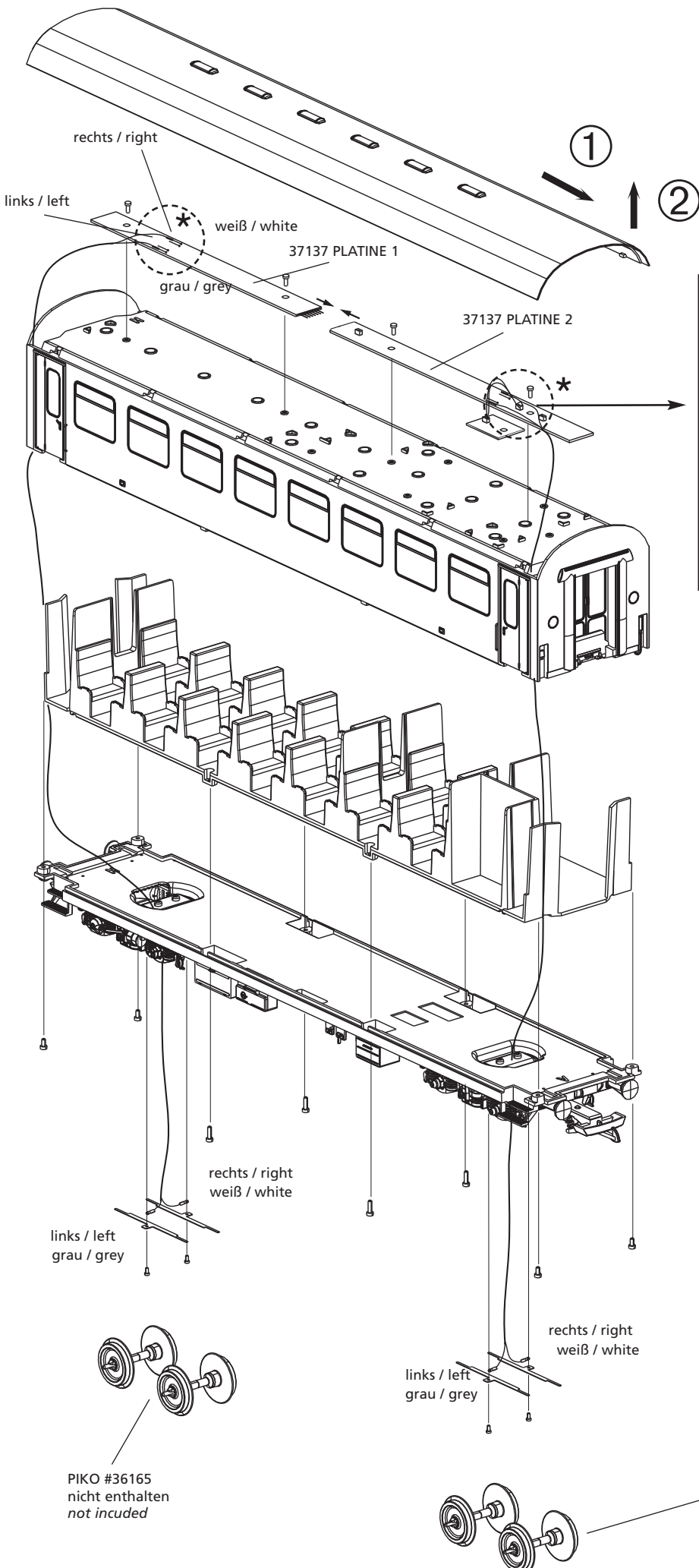
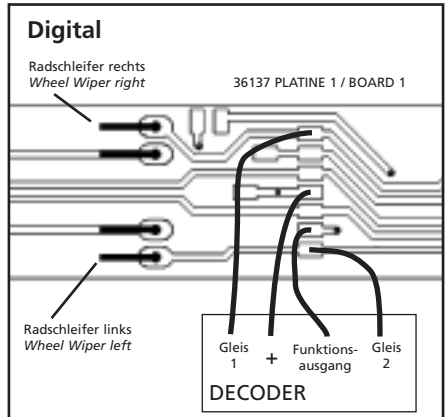


B



1

2



*

